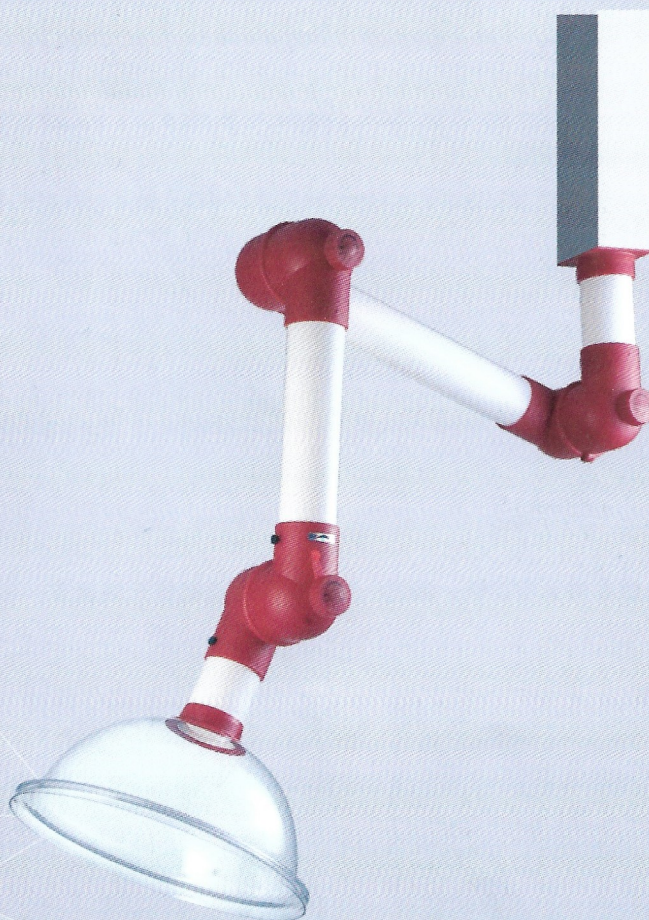


万向抽气罩

Universal Fume Extraction Hood

- 博朗万向抽气罩系列产品专为保护现代实验室环境而设计制造。
 - 结构合理、操作简便，调节灵活，通过对有害烟气的有效抽排，保持实验室室内空气清洁。
 - 真材实料，先进设计和优秀工艺的完美结合。
-
- BRLON universal fume extraction hood series products are specially designed and manufactured for protecting environment of the modern laboratory.
 - They are flexible, easy to operate, and can keep air of the laboratory clean by exhausting harmful smoke effectively.
 - Real stuff, perfect combination of advanced design and excellent technics.



适用性及特点

产品适用性：博朗抽气罩系统是针对实验室场所频繁使用而研发的一种高效能产品，适用于挥发性腐蚀物质密切接触的环境，匹配适用吸风源（引风机）后，可有效排除有害气体、烟雾及粉尘，达到理想空气品质，能有效的避免有害物质与人体接触，保护使用者的健康。已广泛应用于电子工程、镭射科技、化学、医疗、药学、食品工业、实验室、生产工厂、学校等各种不同的实验或生产领域，有效的促进了生产效率和工作效能。

自动保持式悬挂结构：为便于不同方向、位置的使用，本产品通过不锈钢联杆连接，采用内置弹簧独立支撑结构，可方便地调整停留在任意位置。

调风稳定：采用球面内置型调风板，彻底杜绝了挡风板移位而导致的抽气量不稳定。

人性化：透明、无折射的前端透明罩，既保护了使用者，同时确保了实验的直观性。

操作简易：操作及维护非常方便，用一只手即可调节不同位置，不需工具即可拆卸清洗。

安装简便：可方便的装于桌面、墙壁或是天花板上，亦可装在生产的机器设备上。

Applicability and Feature

- **Applicability:** BLRON fume extraction hood system is a kind of high efficiency device specially designed for using in laboratories frequently. It is applicable to environment that has close contact with volatile corrosive substances, can remove harmful gas, smoke and dust, ensure the ideal and safe air quality, keep away hazardous substances from the human body effectively, and protect health of the user. It has been widely used in various experiment and production fields, such as electronic engineering, laser technology, chemistry, medical treatments, pharmacy, food industry, laboratories, production factories, schools and the like, which promotes the productivity and working performance effectively.
- The product can keep hanging status automatically. the system is connected with crosshead made of stainless steel to reduce noise and loss of pressure, and it can be adjusted to any place conveniently by independent sustaining springs (inside/outside).
- **Simple to operate:** It is very easy to operate and maintain, can be adjusted to another place by one hand, and can be disassembled and washed without any tools.
- **Easy to install:** It can be easily installed on the table, on the wall or ceiling, and can also be installed on the production equipment.

安装指南

将万向罩上部方盒插入钢支架下部方形接口，用钻尾螺丝四面固定即可。

Putting the square box of top part of universal fume extractor hood insert into the square interface of the bottom part of steel bracket.

排气量调节

活动阀门装在关节内部，与关节内腔保持紧密配合；通过一字型调节旋钮实现无级调节，可确保排气系统在适合的地方发挥最大的效能。

Adjusting exhausting capacity

Movable valve is installed inside the joint, fitting tightly with inner cavity of the joint;

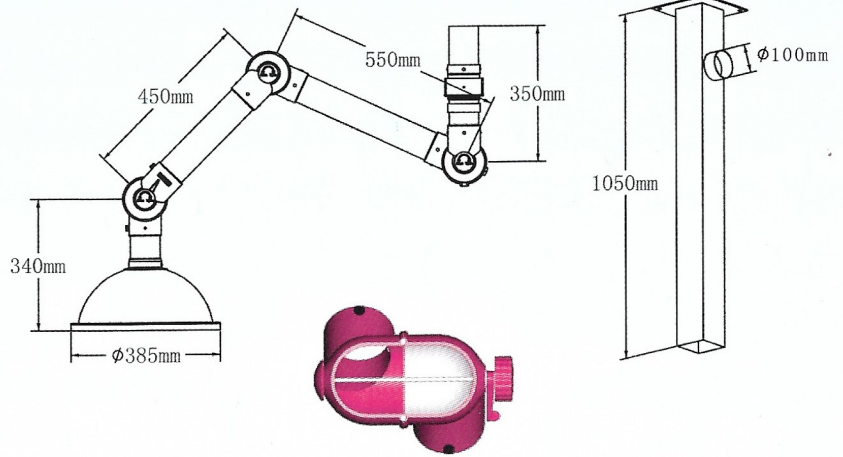
Stepless regulation with straight adjusting knob, which can guarantee the maximum efficiency of the exhaust system at suitable place.

K-75型万向抽气罩

K-75 Universal Fume Extraction Hood



产品编号: A2002A(红色关节)
 Product Code: No. A2002A (Red joint)



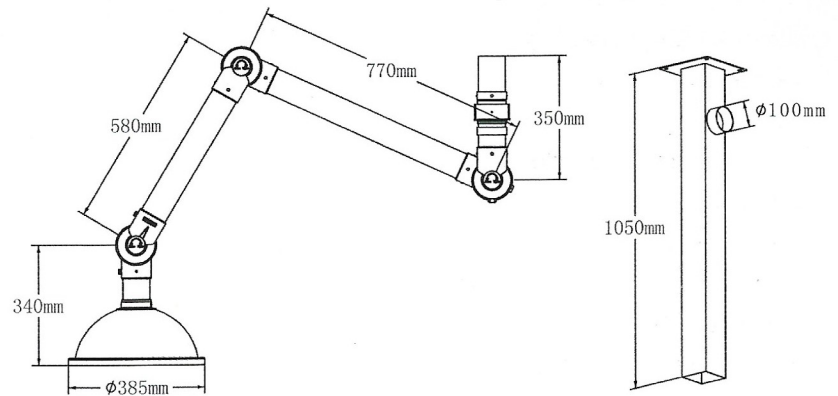
调风关节剖面图
 No. A2002A/A2003A

K-75型万向抽气罩

K-75 Universal Fume Extraction Hood



产品编号: A2003A(白色关节)
 Product Code: No. A2003A (White joint)



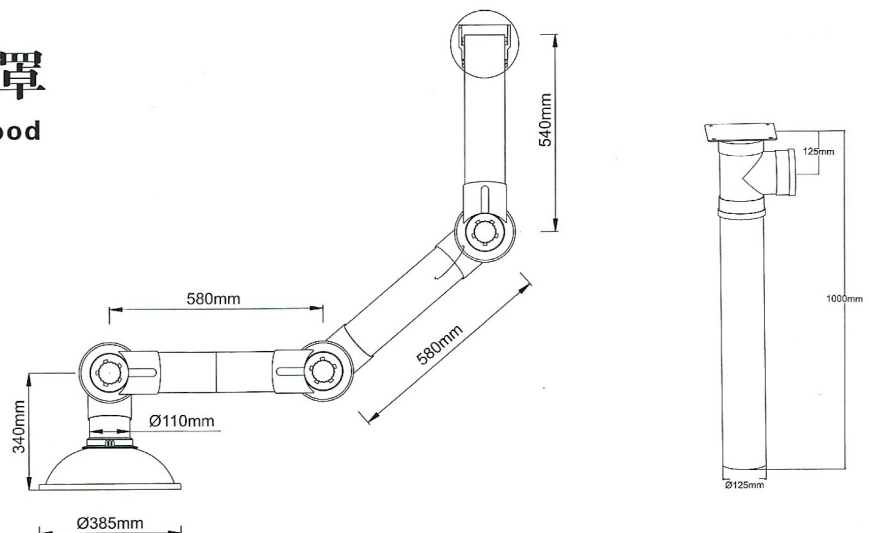
No. A2002B/A2003B

K-110型万向抽气罩

K-110 Universal Fume Extraction Hood

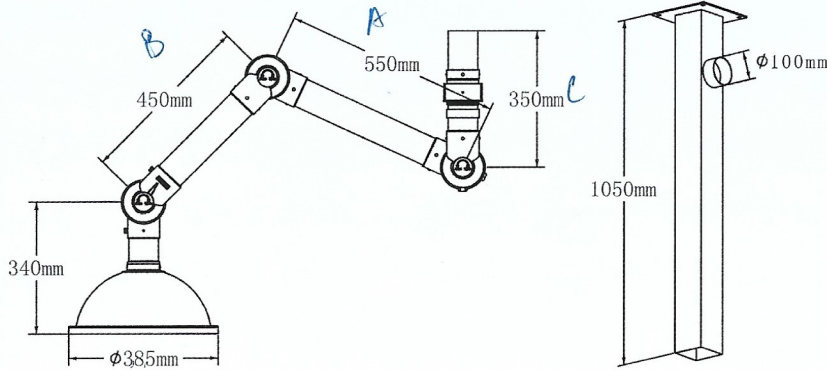


产品编号: A2013
 Product Code: No. A2013



AL-75型万向抽气罩

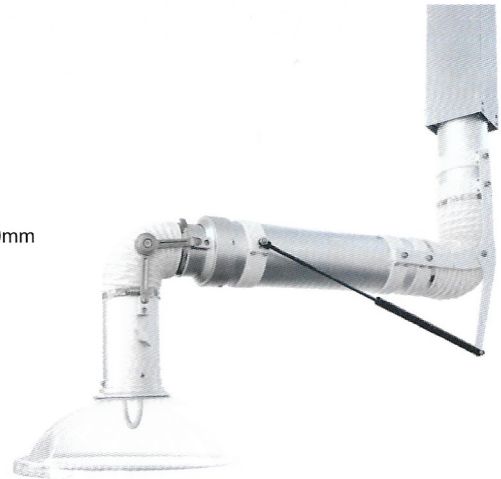
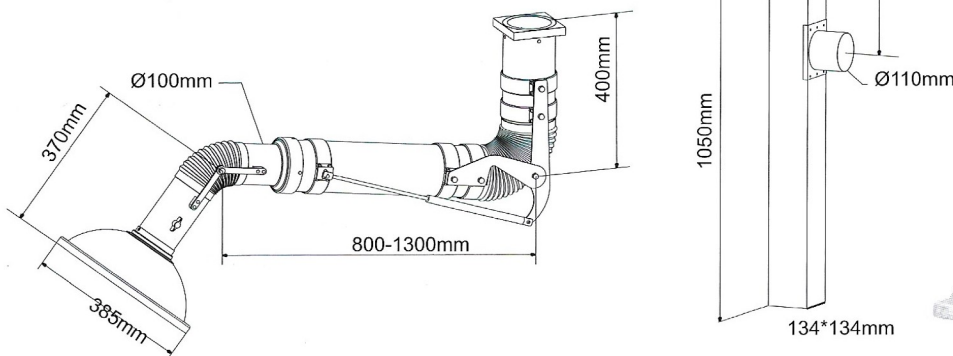
AL-75 Universal Fume Extraction Hood



产品编号:A2018
Product Code: No.A2018

AL-100型万向伸缩式抽气罩

AL-100 Universal Telescopic Exhaust Hood



产品编号:A2024
Product Code: No.A2024

材质说明

排气系统的管件及关节：K-75型万向抽气罩和K-110型万向抽气罩由聚丙烯（PP）制造，聚丙烯有良好的化学稳定性，对化学药剂的侵蚀和沾污有突出的耐御性能；AL-75型铝合金抽气罩和AL-100型铝合金伸缩式抽气罩的管件由铝合金制造。前端罩子：采用聚碳酸酯（PC）制造，聚碳酸酯有良好的耐腐蚀性及耐热性能，强度高，在110° 高温烟气环境下不变形，透明度极好。

Material Description

For K-75 Universal Fume Extraction Hood and K-110 Universal Fume Extraction Hood ,the tubes of the system are made of polypropylene(PP),which has excellent chemical stableness,and is highly enduring to the corrosion and contamination of chemical agentia.

For AL-75 Alloy Fume Extraction Hood and AL-100 Alloy Scalable Fume Extraction Hood ,the tubes of the system are made of alloy.

The front cover is made of polycarbonate (PC), which is good at anti-erode, and anti-heating, high strength, and can maintain the shape in high temperature (110°) smoke environment and has good transparence.

台式万向抽气罩

Bench-top Universal Fume Extraction Hood

单关节台式万向抽气罩

Single-joint Bench-top Universal Fume Extraction Hood

No. A2004 (红色关节) No. A2005 (白色关节)

管径 $\Phi 75\text{mm}$

罩口直径 $\Phi 230\text{mm}$

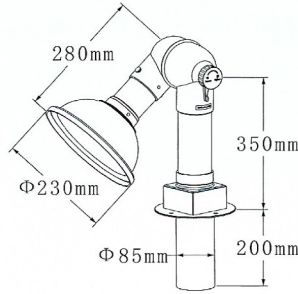
排风量为 100cfm ($180\text{m}^3/\text{h}$)

No. A2004 Red joint No. A2005 White joint

Pipe diameter $\Phi 75\text{mm}$

Diameter of hood mouth : $\Phi 230$

Exhausting rate $100\text{cfm}(180\text{m}^3/\text{h})$



两关节台式万向抽气罩

Double-joint Bench-top Universal Fume Extraction Hood

No. A2006 (红色关节) No. A2007 (白色关节)

管径 $\Phi 75\text{mm}$

罩口直径 $\Phi 230\text{mm}$

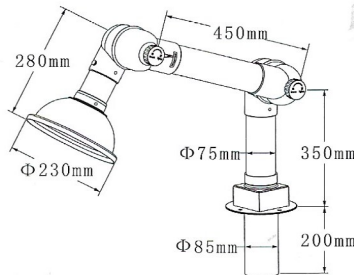
排风量为 100cfm ($180\text{m}^3/\text{h}$)

No. A2006 Red joint No. A2007 White joint

Pipe diameter $\Phi 75\text{mm}$

Diameter of hood mouth : $\Phi 230$

Exhausting rate $100\text{cfm}(180\text{m}^3/\text{h})$



三关节台式万向抽气罩

Three-joint Bench-top Universal Fume Extraction Hood

No. A2008 (红色关节) No. A2009 (白色关节)

管径 $\Phi 75\text{mm}$

罩口直径 $\Phi 230\text{mm}$

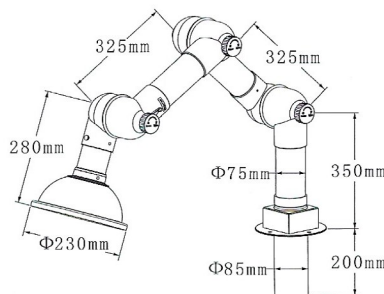
排风量为 100cfm ($180\text{m}^3/\text{h}$)

No. A2008 Red joint No. A2009 White joint

Pipe diameter $\Phi 75\text{mm}$

Diameter of hood mouth : $\Phi 230$

Exhausting rate $100\text{cfm}(180\text{m}^3/\text{h})$



原子吸收罩

Dome Hood

材质说明

全套设备包括：可伸缩不锈钢吸收罩、带手动调节不锈钢导风管等。

A. 不锈钢抽气罩：采用304不锈钢板制作，根据实验需要，吸收罩可在一定范围内任意调节高度，以方便使用。

B. 不锈钢导风管：采用不锈钢制作，风管直径为 $\Phi 90\text{mm}$ 。

Material description

The whole set equipment include Scalable stainless steel dome hood , manual adjusting stainless steel wind-lead-tube and so on .

A、Stainless steel is made of 304 stainless steel ,according to the experiment needing ,the dome hood can adjust the high within fixed range , and it can be convenience to use .

B、stainless steel wind-lead-tube is made of stainless steel , which the wind pipe diameter is $\Phi 90\text{mm}$.

适用性及特点

产品适用性：

1. 博朗原子吸收罩系统是针对实验室高温场所使用而研发的一种高效能产品。
2. 适用于挥发性腐蚀物质密切接触的环境，匹配适用吸风源（引风机）后，可排除有害气体、烟雾及粉尘等。
3. 现已广泛应用于原子分析仪或固定污染源位置等实验场所。

- 1、BRLON Dome Hood system is a kind of high efficiency device specially designed for using in high temperature place of laboratories frequently.
- 2、It is applicable to environment that has close contact with volatile corrosive substances, can remove harmful gas, smoke and dust, and so on .
- 3、It has been widely used in experiment location which has Atomic Analysis Instrument or regular polluted gas source and so on .

特点：

1. 主体采用不锈钢，便于清洁；
2. 内置无级调风装置，排风性能稳定，耐高温、抗腐蚀性强。

Feature :

The material is stainless steel ,which is easy to clean .

Inner assembling steples air register , exhausting function is stable , anti-heating, and strong anti-erode.

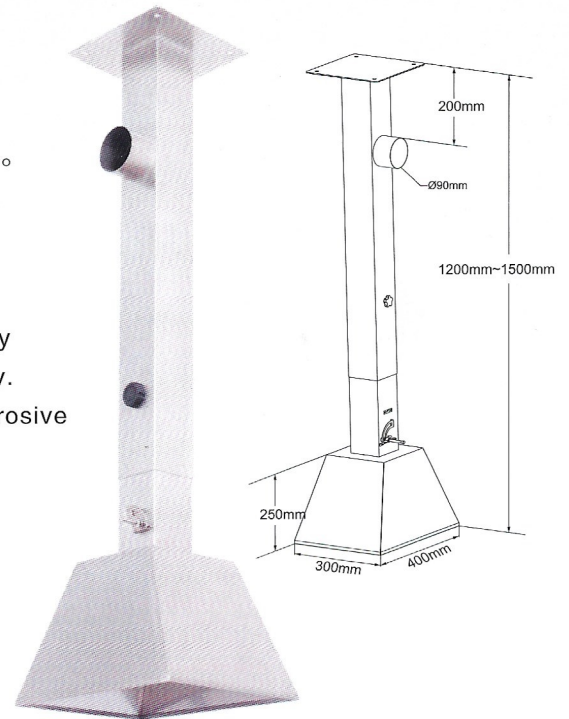
排气量调节

- 活动阀门装在导风管内部，与导风管内腔保持紧密配合；通过一字型调节旋钮实现无级调节，
- 可确保排气系统在适合的地方发挥最大的效能。

Adjusting exhausting capacity

- Movable valve is installed inside the joint, fitting tightly with inner cavity of the joint;
- Stepless regulation with straight adjusting knob, which can guarantee the maximum efficiency of the exhaust system at suitable place

备注：我公司生产的原子吸收罩分为固定式和伸缩式两种，主体高度和吸收罩尺寸可跟据客户要求订制。



产品编号：No.A3009

排风量：100cfm (180m³/h)

Product Code: No.A3009

Exhausting rate 100cfm (180m³/h)